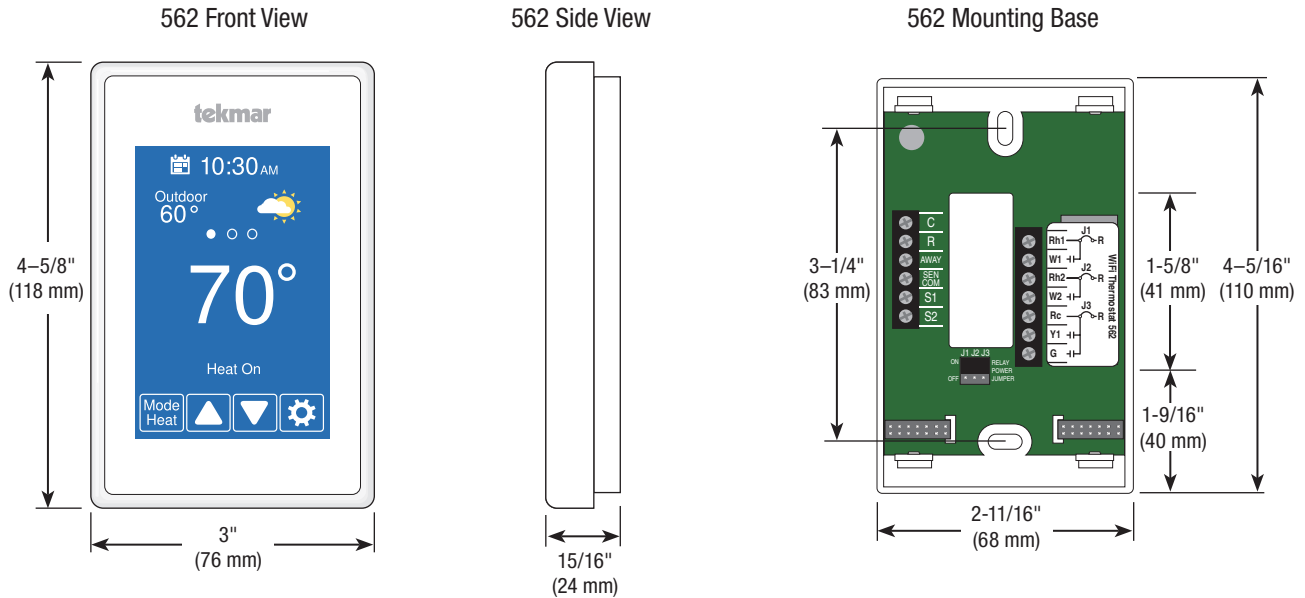


Submittal

Job _____ Designer _____ Contact _____

WiFi Thermostat 562

The WiFi Thermostat 562 operates a two stage heating, one stage cooling system and a fan. When connected to the Internet, the Watts® Home mobile app allows the thermostat to be controlled remotely. A 7-day, 4-event programmable schedule is available and the early start feature automatically learns to heat up the room by the scheduled time. An Away mode is quickly and easily accessed to provide energy savings when the space is unoccupied. The thermostat supports radiant floor heating and optional floor sensors can be installed to enhance comfort and protect floor coverings.



Features

- Mobile app for iOS and Android
- Optional remote floor & room sensors
- Automatic software updates
- Outdoor temperature
- Local weather
- Error and warning notifications
- Time clock updated from Internet
- 7 day programmable schedule
- Away energy savings mode
- Early start
- Energy monitoring
- English/Français/Español languages
- 3.5" color touchscreen
- Selectable background colors

Specifications

WiFi Thermostat 562 Two Stage Heat, One Stage Cool, Fan	
Literature	562_C, 562_D, 562_J, 562_U
Control	Microprocessor control. This is not a safety (limit) control
Packaged weight	0.7 lb. (300 g)
Dimensions	4-5/8" H x 3" W x 15/16" D (118 x 76 x 24 mm)
Enclosure	White PVC plastic, NEMA type 1
Approvals	Meets Class B: ICES & FCC Part 15
Ambient conditions	Indoor use only, 32 to 122°F (0 to 50°C), RH ≤90% non-condensing
Power supply	15 to 30 V (ac/dc), 2 VA, Class 2
Relay	30V(ac/dc), 2 A, Class 2 circuits
Sensor	NTC thermistor, 10 kΩ @ 77°F (25°C ±0.2°C) β=3892
-Included	None
-Optional	tekmar type # 070, 072, 073, 076, 077, 079, 084, 087
Communications	WiFi 802.11n, 2.4 GHz, WPA2 encryption
Mobile App	Apple iOS 12 or higher, Android 8 or higher
Warranty	Limited 3 Year (See 562_D for full warranty)

tekmar product specifications in U.S. customary units and metric are approximate and are provided for reference only. For precise measurements, please contact tekmar Technical Service. Watts reserves the right to change or modify product design, construction, specifications, or materials without prior notice and without incurring any obligation to make such changes and modifications on tekmar products previously or subsequently sold.

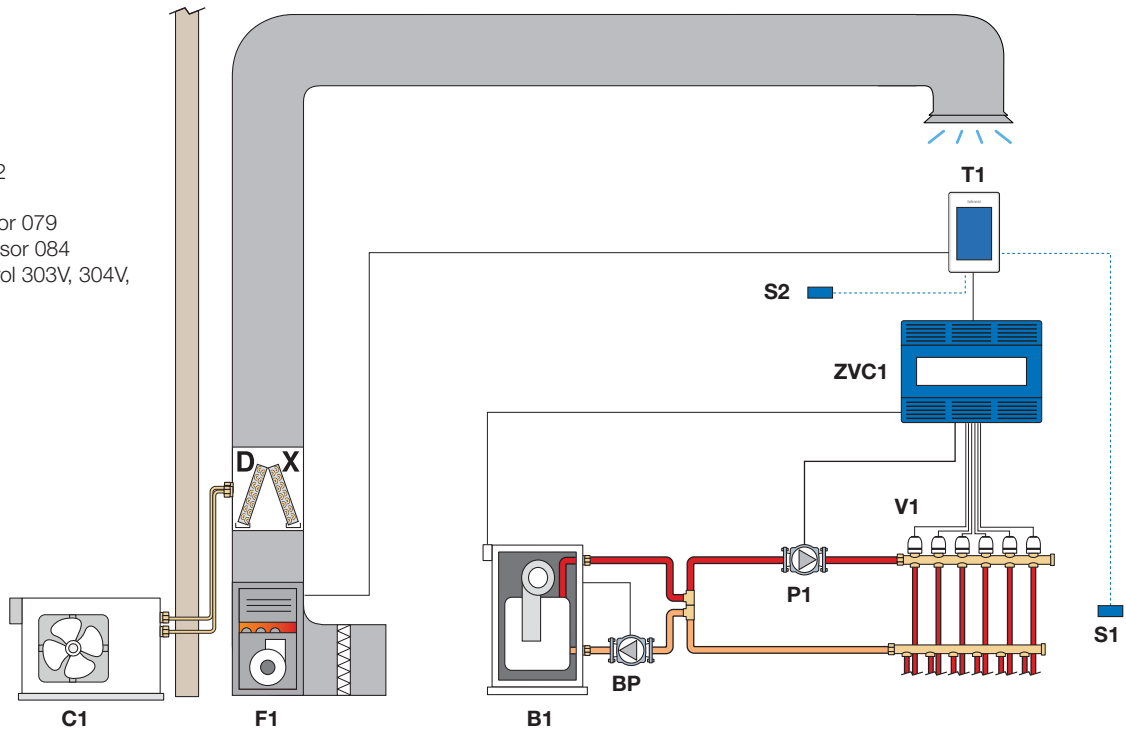
tekmar[®]
 A WATTS Brand

Sample Application Drawing

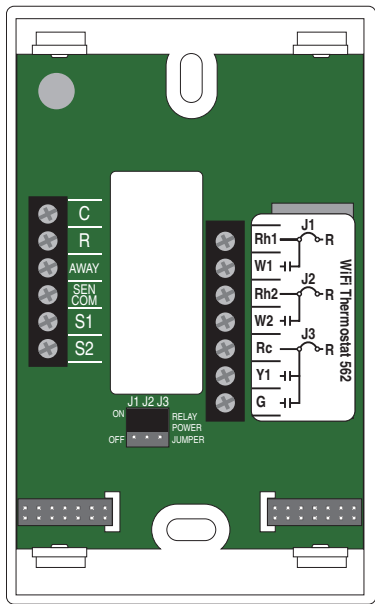
Sample Mechanical diagram

Legend

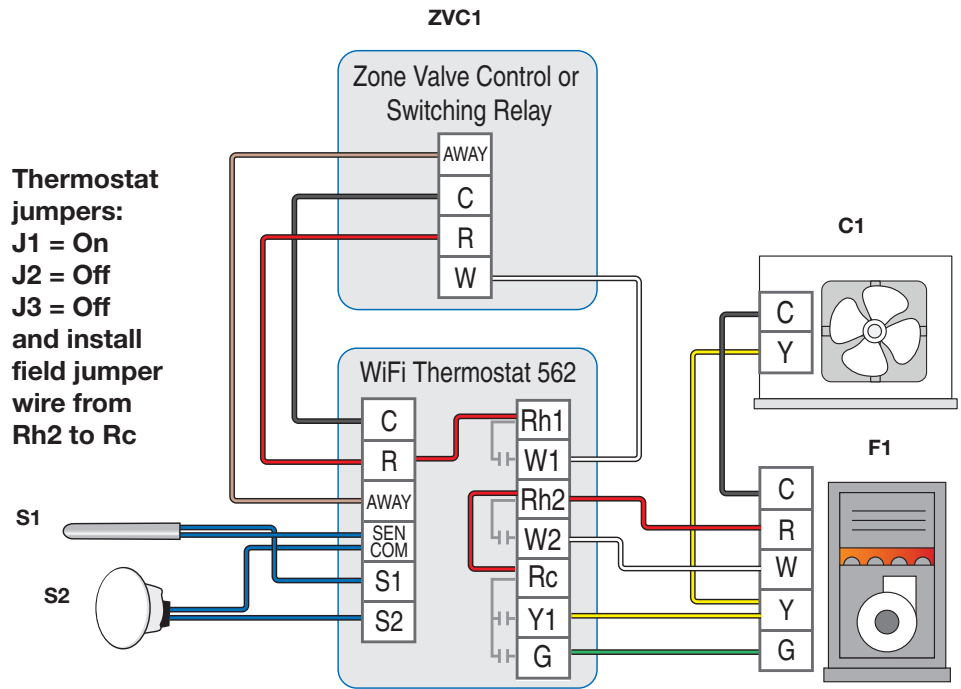
- B1 = Boiler
- BP = Boiler Pump
- C1 = Air Conditioner
- F1 = Furnace
- P1 = Manifold Pump
- T1 = WiFi Thermostat 562
- V1 = Zone Valve
- S1 = Optional Floor Sensor 079
- S2 = Optional Indoor Sensor 084
- ZVC1 = Zone Valve Control 303V, 304V, 305V, 306V



Sample Electrical diagram



Thermostat jumpers:
J1 = On
J2 = Off
J3 = Off
and install field jumper wire from Rh2 to Rc



NOTICE

The information contained herein is not intended to replace the full product installation and safety information available or the experience of a trained product installer. You are required to thoroughly read all installation instructions and product safety information before beginning the installation of this product.



A WATTS Brand

T: 1-800-438-4903 • F: (250) 984-0815
 tekmarControls.com