

For Residential and Commercial Applications

Job Name _____
 Job Location _____
 Engineer _____
 Approval _____

Contractor _____
 Approval _____
 Contractor's P.O. No. _____
 Representative _____

Snow Melting Control PM-653

The Snow Melting Control PM-653 is designed to operate electric heating cables to melt snow or ice from any surface including driveways, walkways, patios, business entrances, parking ramps, loading docks, hospital entrances, helipads or car wash bays. The surface temperature for snow melting is controlled automatically to reduce operating energy costs. The PM-653 has an automatic start and stop function when used with the Snow/Ice Sensor PM-090. Automatic start with a timed stop is available when used with the Snow Sensor PM-095.

Specifications

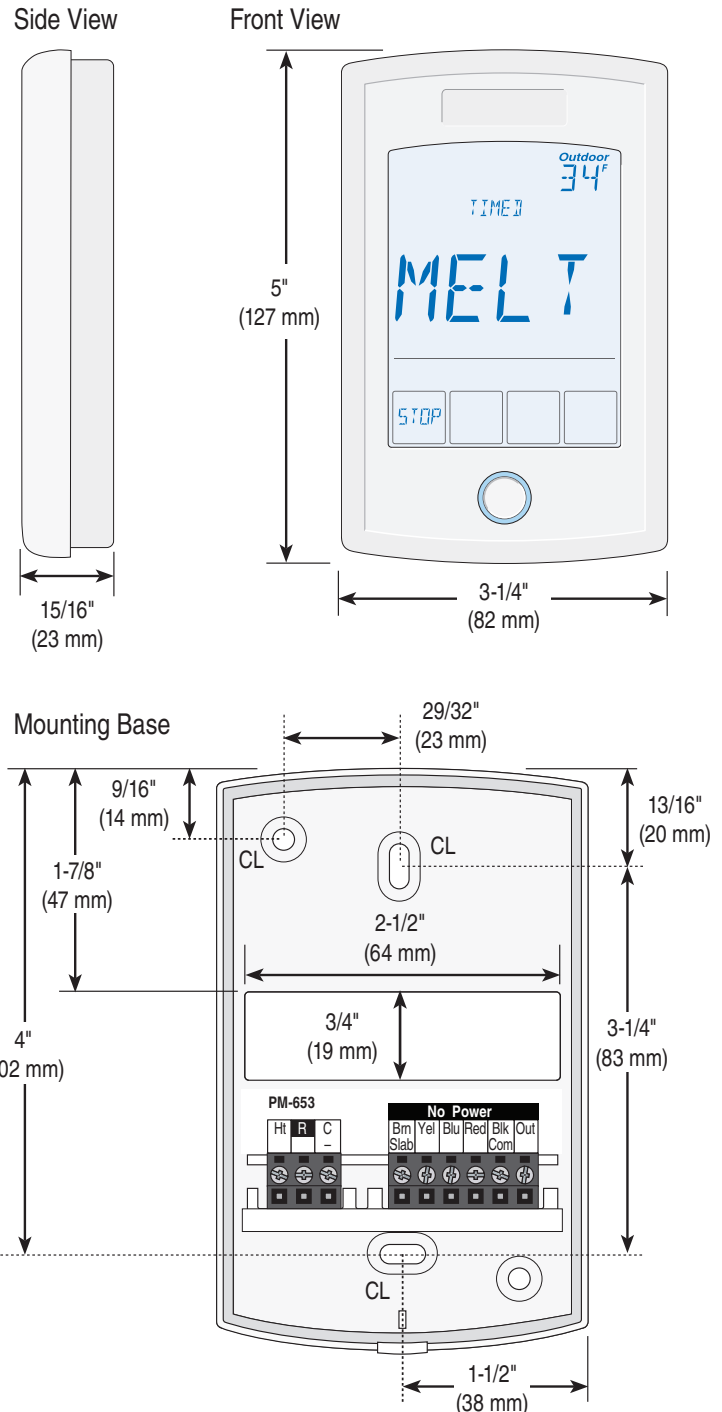
Literature	IOM-ST-PM653, ES-ST-PM653, IS-WR-PM653
Control	Microprocessor control. This is not a safety (limit) control
Packaged weight	1.3 lb. (590 g)
Dimensions	5" H x 3-1/4" W x 15/16" D (127 x 82 x 23 mm)
Enclosure	White PVC plastic, NEMA type 1
Ambient conditions	-4 to 122°F (-20 to 50°C), < 90% RH non-condensing, outdoor use permitted when installed inside a NEMA 3 enclosure
Power supply	24 V (ac) ±10%, 60 Hz, Class 2, 16 VA standby, 64 VA fully loaded
Relay capacity	24 V (ac) 2 A
Sensors	NTC thermistor, 10 kΩ @ 77°F (25°C ±0.2°C) β=3892
- Included	Outdoor Sensor PM-070
- Optional	PM-072, PM-090, PM-095

CAUTION

This Engineering Sheet is not intended to provide full installation instructions and safety information. In order to avoid property damage or injury, please refer to the complete installation manual and product safety information provided with the product.

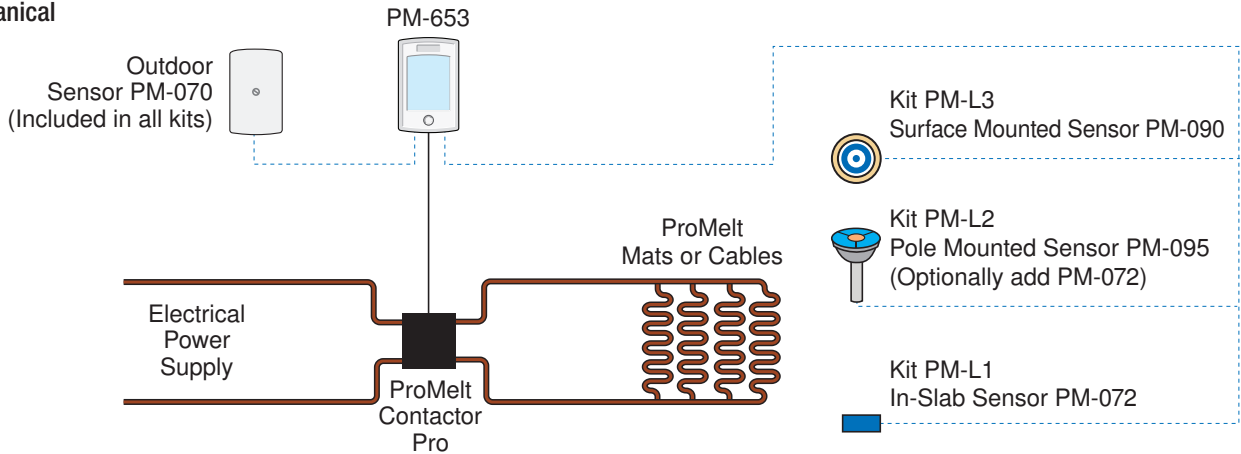
Product Options

Qty	Description	Model#	Order#
	Snow Melting Control PM-653	PM-653	81016555

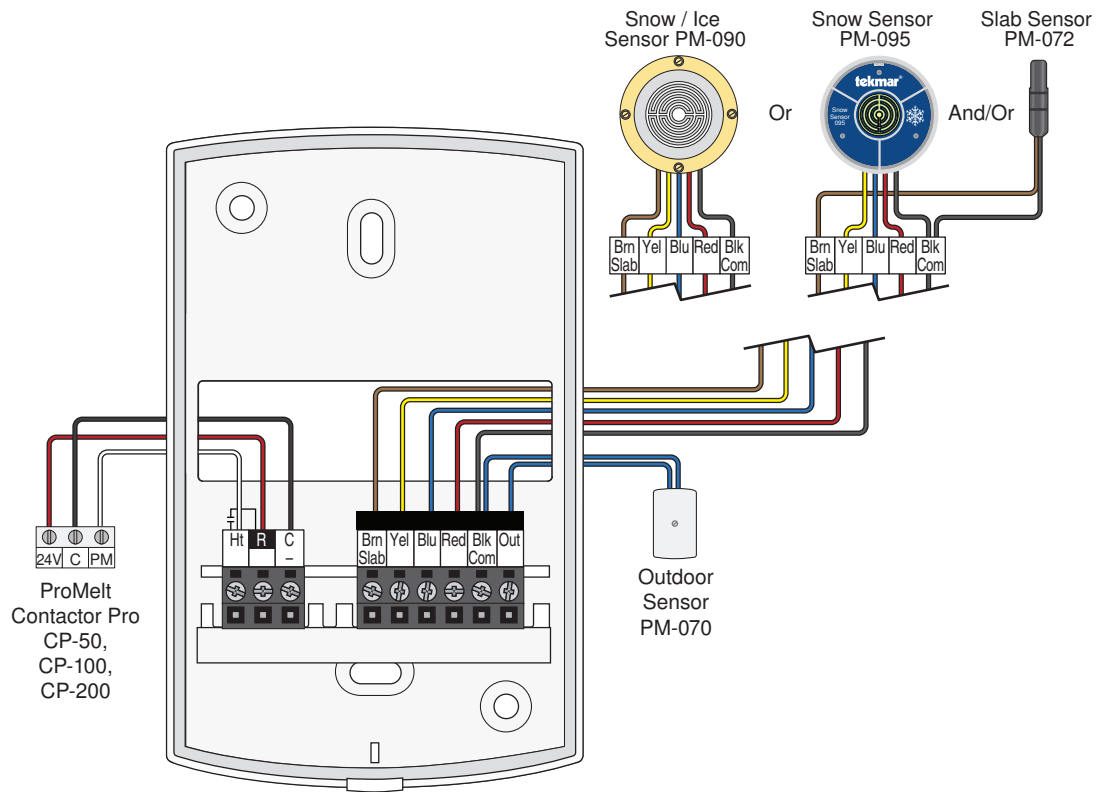


SunTouch product specifications in U.S. customary units and metric are approximate and are provided for reference only. For precise measurements, please contact SunTouch Technical Service. SunTouch reserves the right to change or modify product design, construction, specifications, or materials without prior notice and without incurring any obligation to make such changes and modifications on SunTouch products previously or subsequently sold.

Mechanical



Electrical



A Watts Water Technologies Company

USA: Tel: (888) 432-8932 • Fax: (417) 831-4067
Canada: Tel: (888) 208-8927 • Fax: (905) 332-7068
Latin America: Tel: (52) 81-1001-8600 • Fax: (52) 81-8000-7091